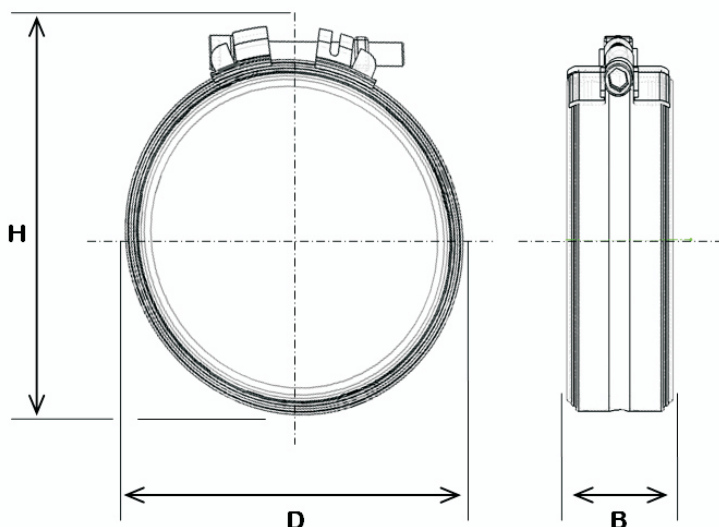


CONTEC-ConPower Inox for SML-Pipe Systems as per DIN 19522 / EN 877



CON-POWER Inox

DN	D ≈	H ≈	B ≈	Piece packaging unit	Item no.:
<< Maximum dimensions before assembly >>					
50	71	80	46	100	601050
65	88	100	46	100	601065 Norway
70	92	104	46	100	601070
80	98	109	46	100	601080
100	125	132	46	50	601100
125	149	160	52	25	601125
150	176	183	52	20	601150

One screw coupling with visual Torque control

German Approval no.:	Ü DIN EN 877
Material metal collar:	W5 austenitic stainless steel, 1.4571 as per EN 10088
Material locking parts:	austenitic stainless steel 1.4571 as per EN 10088 screw, washer and square nut A4
Material sealing:	EPDM
Axial restraint:	up to 0,5 bar
Screw size:	Pointed screw DN 50 - 150 M 8
Torque:	closed to control slot, max 15 NM