



Contec-Fix Coupling

DN	Piece packaging unit	Item no.:
50	50	300050
70	50	300070
80	50	300075
80	50	300080
100	20	300100
125	10	300125

For connecting pipes of PE-HD/PP to cast iron sewage pipes

German Approval no.:

Z-42.5-299

Material:

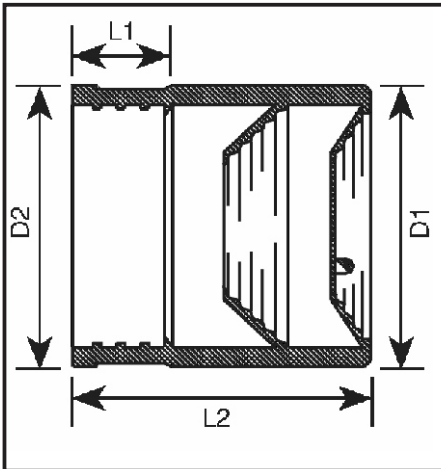
EPDM

Material locking parts:

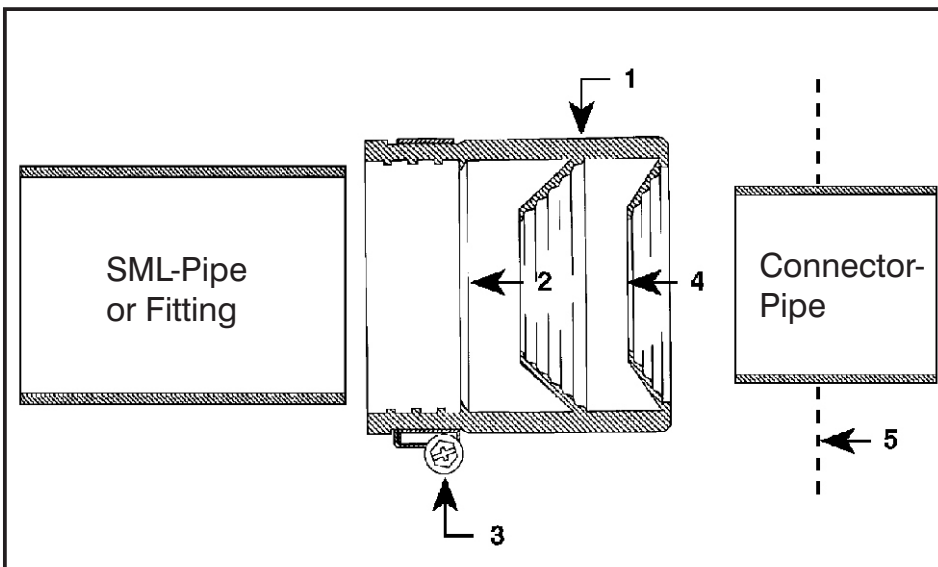
W2, worm threaded clamp stainless steel 1.4016, screw free of chrome (VI)

Screw size:

cross-slit screw, width 7



DN	Connecting pipe outer diameter in mm	Insertion lengths in mm	Torque in mm	L1 mm	L2 mm	D1 mm	D2 mm
50	40 - 56	42	ca. 2	19	63	72	68
70	56 - 75	55	ca. 2	19	77	92	87
80	56 - 75	55	ca. 2	19	77	92	91
80	75 - 90	60	ca. 2	19	88	108	93
100	104 - 110	65	ca. 2	21	95	128	118
125	125	75	ca. 2	21	103	145	145



Installation Instructions:

1. Place the reducing coupling (1) on the end of the pipe until it reaches the spacer ring of the seal (2). Use the screwdriver to tighten the clamping strap (3).
2. Place pliers on the opening neck (4) and completely pull of the lid.
3. Mark the connecting pipe at insertion depth (5). Apply an antiseize agent to the connecting pipe and slide it into the reducing coupling.