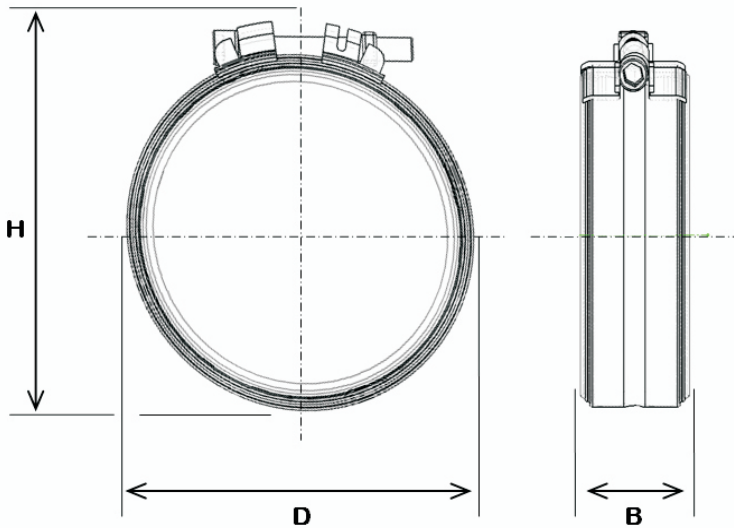


CONTEC-ConPower

for SML-Pipe Systems as per DIN 19522 / EN 877



CON-POWER

DN	D ≈	H ≈	B ≈	Piece packaging unit	Item no.:
<< Maximum dimensions before assembly >>					
50	71	80	46	100	500050
65	88	100	46	100	500065 Norway
70	92	104	46	100	500070
80	98	109	46	100	500080
100	125	132	46	50	500100
125	149	160	52	25	500125
150	176	183	52	20	500150
200	230	253	67	15	500200*

One screw coupling with visual Torque control

German Approval no.:	Ü DIN EN 877
Material metal collar:	W2 stabilized stainless steel, 1.4510/11 as per EN 10088
Material locking parts:	lock 1.4301 or 1.4510/11, screw, washer and square nut steel with zinc lamellae coating
Material sealing:	EPDM
Axial restraint:	up to 0,5 bar
Screw size:	Pointed screw DN 50 - 150 M 8; DN 200 M 10
Torque:	closed to control slot, max 15 NM

*until both locks come together