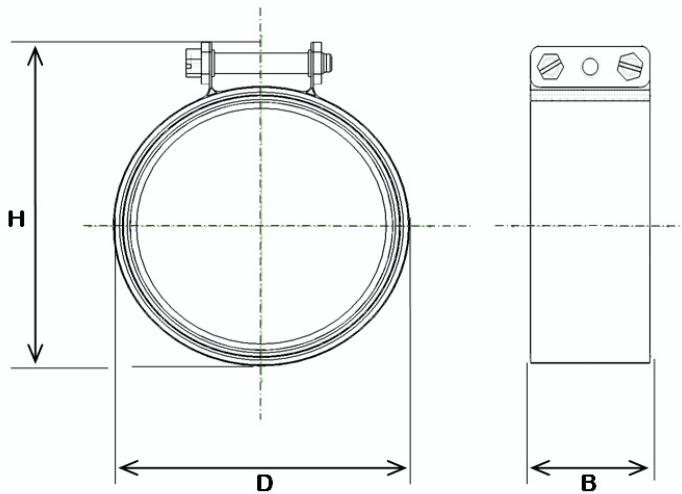


CONTEC-CV-Coupling
for SML-Pipe Systems as per DIN 19522 / EN 877



CV-Coupling

DN	D	H	B ≈	Piece packaging unit	Item no.:
50	72	86	48	100	100050
70	92	104	48	100	100070
75/80	99	111	48	100	100080
100	124	139	54	50	100100
125	153	166	65	25	100125
150	180	192	65	20	100150
200*	220	233	78	10	100200
250*	284	297	78	1	100250
300*	336	349	78	1	100300
70	92	104	48	100	101075**
70	97	107	48	100	101078-75***

Double screw coupling. The metal collar is opened completely for installation, therefore the coupling is suitable for use situations with reduced space.

Not suitable for installation in the range of ceiling and wall penetrations with fire protection standards.

German Approval no.:	Ü DIN EN 877
Material metal collar:	stabilized stainless steel, material no. 1.4510/11 as per EN 10088
Material locking parts:	galvanised steel DC04
Material sealing:	EPDM, free of silicone
Axial restraint:	-
Screw size:	slotted hexagonal screws M8
Torque:	hand tight
*	two-part quality
**	Special version for Finland and Sweden
***	Special version for Sweden