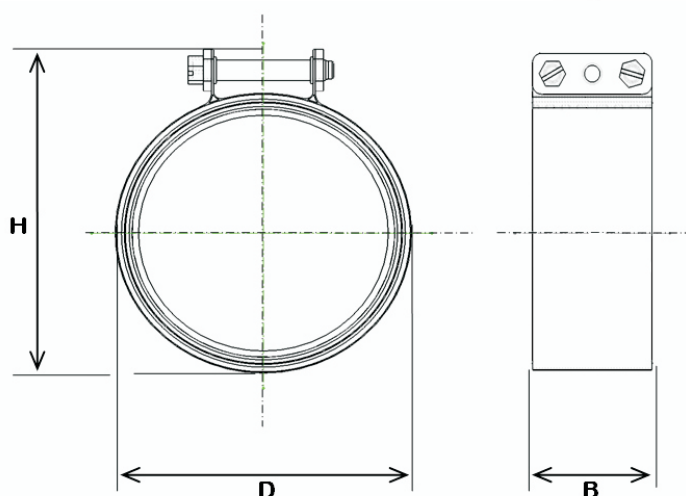


CONTEC-CE-Coupling

für SML-Pipe Systems as per DIN 19522 / EN 877



CE-Coupling

DN	D	H	B ≈	Piece packaging unit	Item no.:
50	72	86	48	100	600050
70	92	104	48	100	600070
75/80	99	111	48	100	600080
100	124	139	54	50	600100
125	153	166	65	25	600125
150	180	192	65	20	600150
200*	220	233	78	10	600200
250*	284	297	78	1	600250
300*	336	349	78	1	600300

Double screw coupling for the free weathering. The metal collar is opened completely for installation, therefore the coupling is suitable for use situations with reduced space.

German Approval no.:	Ü DIN EN 877
Material metal collar:	W4 austenitic stainless steel, 1.4301 as per EN 10088
Material locking parts:	austenitic stainless steel, 1.4301/1.4541 as per EN 10088
Material sealing:	EPDM, free of silicone
Axial restraint:	-
Screw size:	hexagonal screws M8
Torque:	hand tight
*	two-part quality